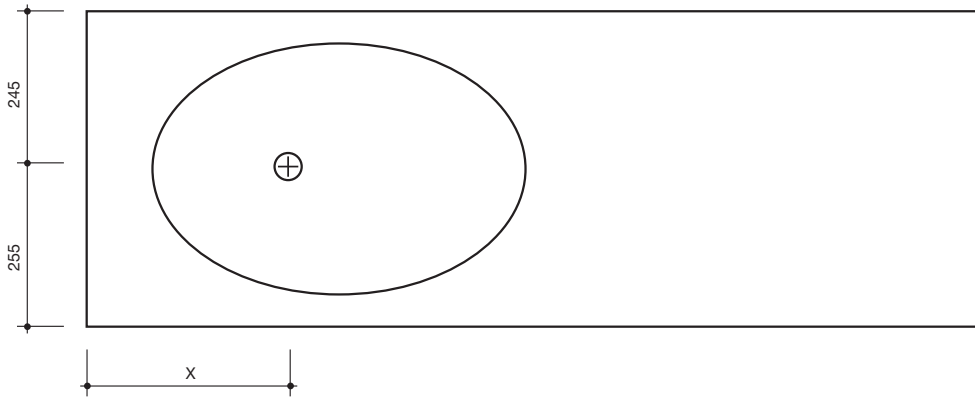
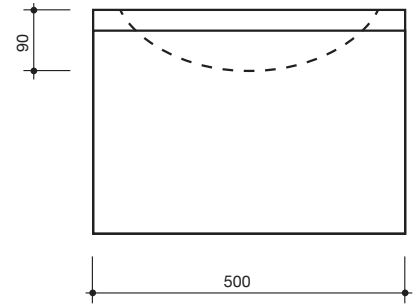
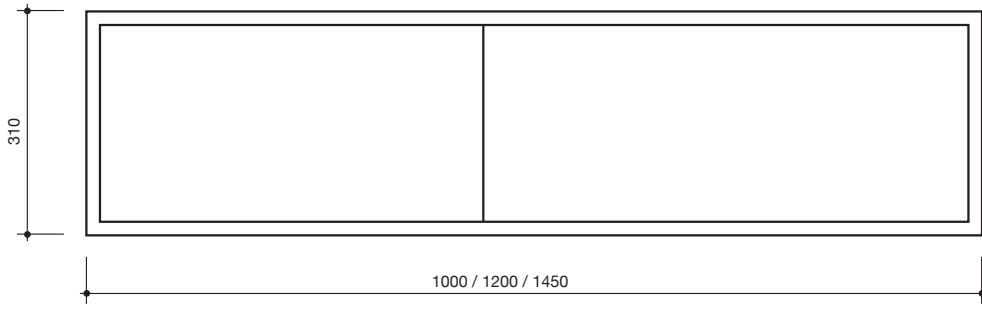


WAVE



Dimensions for oval basin

| Length | X |
|--------|-----|
| 1000 | 290 |
| 1200 | 310 |
| 1450 | 310 |
| 1750 | 290 |

